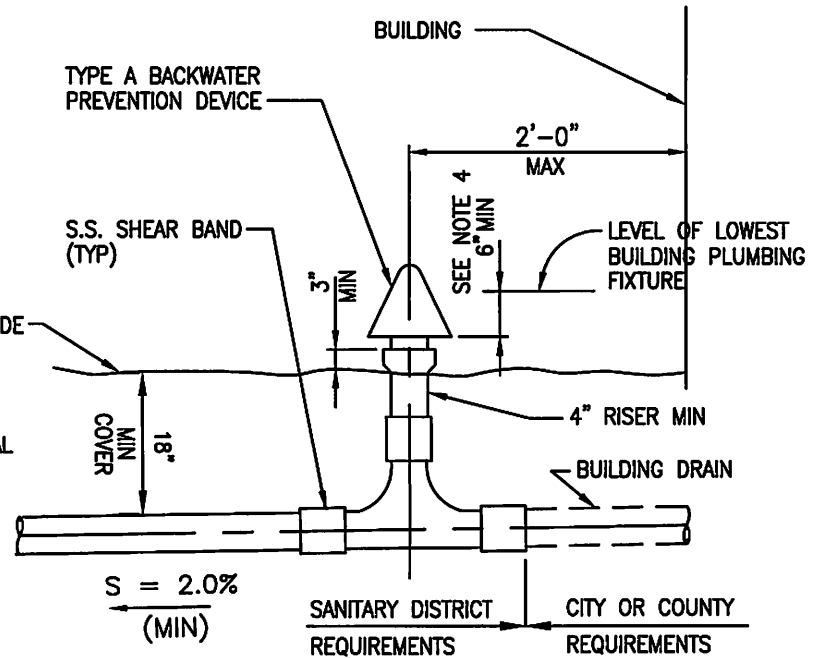
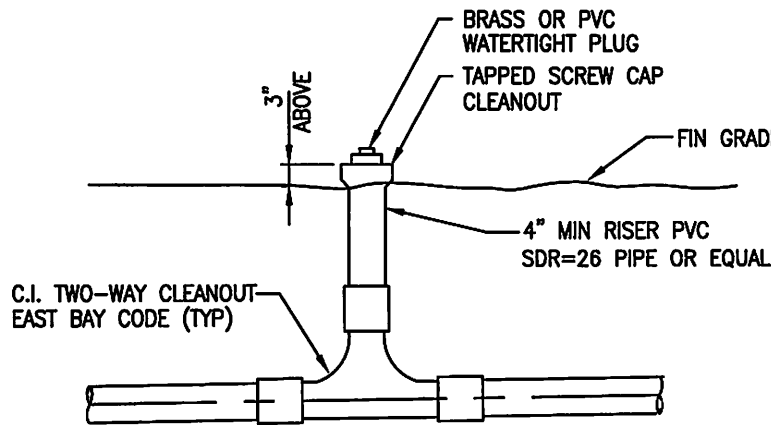


**NOTES:**

1. WHEN A LATERAL SEWER IS INSTALLED IN ADVANCE OF THE BUILDING SEWER, IT SHALL BE TERMINATED AT OR NEAR THE PROPERTY LINE. THE END OF THE LATERAL SHALL BE MARKED WITH A 4" x 4" REDWOOD STAKE, PAINTED GREEN, FROM THE TOP OF THE PIPE TO A MINIMUM OF 6" ABOVE THE FINISHED GROUND SURFACE.
2. WHERE CONCRETE CURBS AND GUTTERS EXIST OR ARE TO BE A PART OF AN IMPROVEMENT, EACH SIDE SEWER SHALL BE PERMANENTLY LOCATED BY IMPRINTING OR CHISELING AN "S" ( 3" size) IN THE FACE OF THE CURB VERTICALLY ABOVE THE SEWER PIPE.
3. BACKFILL SHALL NOT BE PLACED UNTIL PIPE INSTALLATION HAS BEEN INSPECTED AND APPROVED BY THE DISTRICT.
4. TYPE A BACKWATER PREVENTION DEVICE (CONTRA COSTA RELIEF VALVE, ALSO KNOWN AS MUSHROOM CAP) SHALL BE INSTALLED ON A 4" MINIMUM RISER PIPE NOT MORE THAN 3' FROM BUILDING WALL, PER STANDARD DETAIL SD6.
5. LATERAL TRENCHES IN AREA OF PUBLIC STREET CURB, GUTTER AND SIDEWALK SHALL BE COMPACTED THE SAME AS TYPICAL TRENCH DETAIL SD 4. AREAS AROUND NEW CONCRETE CLEAN-OUT BOXES SHALL BE SOILS TESTED TO 90% COMPACTED. CONTRACTOR IS TO USE WHATEVER MEANS NECESSARY TO ACHIEVE 90% COMPACTION.
6. CLEANOUT MAY BE PLACED IN A BOX AS LOCATION REQUIRES.

<b>HOMESTEAD VALLEY SANITARY DISTRICT</b>		
<b>TYPICAL SIDE SEWER DETAILS</b>		
2012		SD 5

CLEANOUTS LOCATED UNDER PAVED DRIVEWAYS, WALKWAYS, ETC. SHALL BE RAISED TO GRADE AND INSTALLED IN PRECAST CONC METER BOXES FLUSH FITTED TO PAVING W/ GALVANIZED STEEL CHECKERED PLATE TRAFFIC LIDS MARKED "SEWER", CHRISTY B9 W/ 61D15 LID, OR EQUAL, AS DIRECTED BY THE DISTRICT.



### STANDARD CLEANOUT

### TYPE A BACKWATER PREVENTION DEVICE

#### NOTES:

1. A STANDARD 4" C.I. CLEANOUT IS THE MINIMUM DISTRICT REQUIREMENT.
2. A BACKWATER PREVENTION DEVICE IS REQUIRED AND SHALL BE INSTALLED ON ALL SIDE SEWERS.
3. A TYPE "A" BACKWATER PREVENTION DEVICE SHALL BE INSTALLED IN A LOCATION WHERE SEWAGE CAN OVERFLOW ON THE SURROUNDING AREA WITHOUT DAMAGE TO PROPERTY.
4. IF THE DIFFERENCE IN ELEVATION OF THE LOWEST FIXTURE AND THE TYPE "A" BACKWATER PREVENTION DEVICE IS LESS THAN SIX (6) INCHES, A BACKWATER CHECK VALVE SHALL BE INSTALLED AS SHOWN IN STANDARD DETAIL SD 7.

2012	<b>HOMESTEAD VALLEY SANITARY DISTRICT</b>
SD 6	

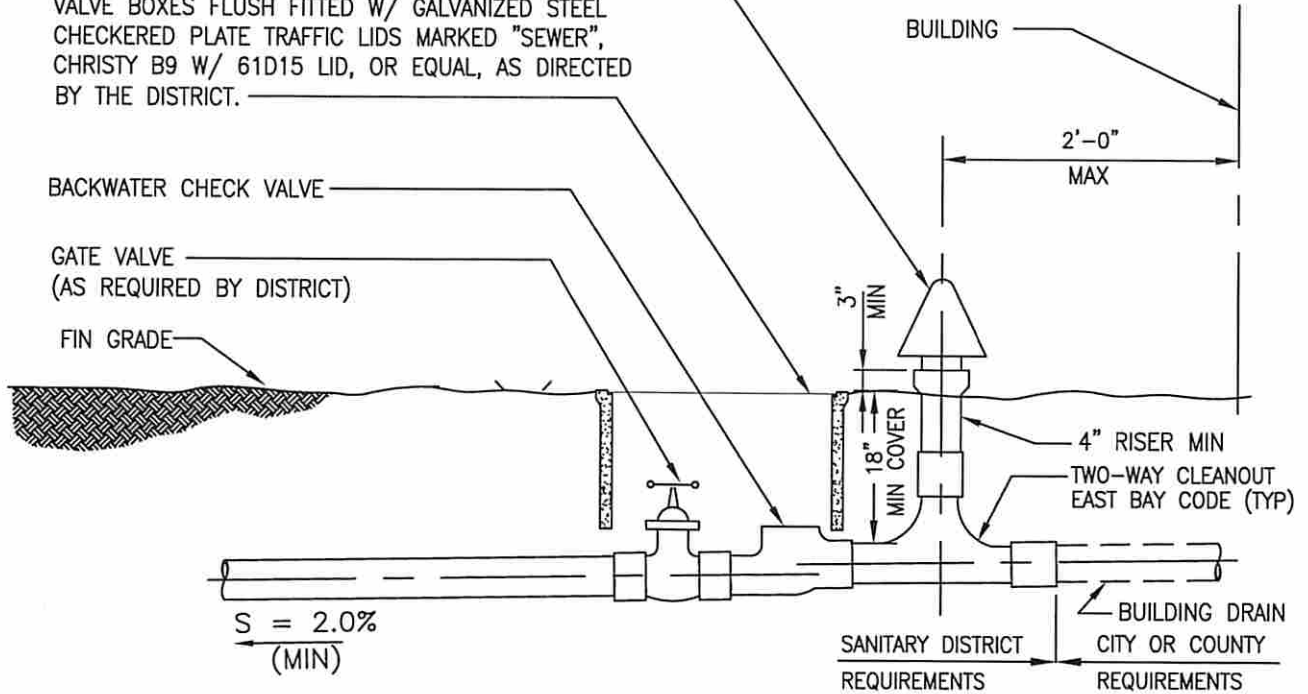
TYPE A BACKWATER PREVENTION DEVICE,  
SEE STANDARD DETAIL SD 6

VALVES SHALL BE INSTALLED IN PRECAST CONCRETE  
VALVE BOXES FLUSH FITTED W/ GALVANIZED STEEL  
CHECKERED PLATE TRAFFIC LIDS MARKED "SEWER",  
CHRISTY B9 W/ 61D15 LID, OR EQUAL, AS DIRECTED  
BY THE DISTRICT.

BACKWATER CHECK VALVE

GATE VALVE  
(AS REQUIRED BY DISTRICT)

FIN GRADE



## HOMESTEAD VALLEY SANITARY DISTRICT

BACKWATER CHECK VALVE  
AND SHUTOFF SYSTEM

2012

SD 7